

# Wireless HDL Toolbox™

## Getting Started Guide



# MATLAB® & SIMULINK®

R2021b



## How to Contact MathWorks



Latest news: [www.mathworks.com](http://www.mathworks.com)  
Sales and services: [www.mathworks.com/sales\\_and\\_services](http://www.mathworks.com/sales_and_services)  
User community: [www.mathworks.com/matlabcentral](http://www.mathworks.com/matlabcentral)  
Technical support: [www.mathworks.com/support/contact\\_us](http://www.mathworks.com/support/contact_us)



Phone: 508-647-7000



The MathWorks, Inc.  
1 Apple Hill Drive  
Natick, MA 01760-2098

### *Wireless HDL Toolbox™ Getting Started*

© COPYRIGHT 2017 - 2021 by The MathWorks, Inc.

The software described in this document is furnished under a license agreement. The software may be used or copied only under the terms of the license agreement. No part of this manual may be photocopied or reproduced in any form without prior written consent from The MathWorks, Inc.

FEDERAL ACQUISITION: This provision applies to all acquisitions of the Program and Documentation by, for, or through the federal government of the United States. By accepting delivery of the Program or Documentation, the government hereby agrees that this software or documentation qualifies as commercial computer software or commercial computer software documentation as such terms are used or defined in FAR 12.212, DFARS Part 227.72, and DFARS 252.227-7014. Accordingly, the terms and conditions of this Agreement and only those rights specified in this Agreement, shall pertain to and govern the use, modification, reproduction, release, performance, display, and disclosure of the Program and Documentation by the federal government (or other entity acquiring for or through the federal government) and shall supersede any conflicting contractual terms or conditions. If this License fails to meet the government's needs or is inconsistent in any respect with federal procurement law, the government agrees to return the Program and Documentation, unused, to The MathWorks, Inc.

### **Trademarks**

MATLAB and Simulink are registered trademarks of The MathWorks, Inc. See [www.mathworks.com/trademarks](http://www.mathworks.com/trademarks) for a list of additional trademarks. Other product or brand names may be trademarks or registered trademarks of their respective holders.

### **Patents**

MathWorks products are protected by one or more U.S. patents. Please see [www.mathworks.com/patents](http://www.mathworks.com/patents) for more information.

### **Revision History**

September 2017	Online only	New for Version 1.0 (Release 2017b)
March 2018	Online only	Revised for Version 1.1 (Release 2018a)
September 2018	Online only	Revised for Version 1.2 (Release 2018b)
March 2019	Online only	Revised for Version 1.3 (Release 2019a)
September 2019	Online only	Revised for Version 1.4 (Release 2019b)
March 2020	Online only	Revised for Version 2.0 (Release 2020a)
September 2020	Online only	Revised for Version 2.1 (Release 2020b)
March 2021	Online only	Revised for Version 2.2 (Release 2021a)
September 2021	Online only	Revised for Version 2.3 (Release 2021b)

## Wireless HDL Toolbox Getting Started

**1**

Wireless HDL Toolbox Product Description .....	1-2
--	-----

## Tutorials

**2**

Verify Turbo Decoder with Streaming Data from MATLAB .....	2-2
Verify Turbo Decoder with Framed Data from MATLAB .....	2-7



# **Wireless HDL Toolbox Getting Started**

---

## **Wireless HDL Toolbox Product Description**

### **Design and implement 5G and LTE communications subsystems for FPGAs, ASICs, and SoCs**

Wireless HDL Toolbox (formerly LTE HDL Toolbox™) provides pre-verified, hardware-ready Simulink® blocks and subsystems for developing 5G, LTE, and custom OFDM-based wireless communication applications. It includes reference applications, IP blocks, and gateways between frame- and sample-based processing.

You can modify the reference applications for integration into your own design. HDL implementations of the toolbox algorithms are optimized for efficient resource usage and performance for prototyping or for production deployment on FPGA, ASIC, and SoC devices.

The toolbox algorithms are designed to generate readable, synthesizable code in VHDL® and Verilog® (with HDL Coder™). For over-the-air testing of 5G, LTE, and custom OFDM-based designs, you can connect transmitter and receiver models to radio devices (with Communications Toolbox™ hardware support packages).

# Tutorials

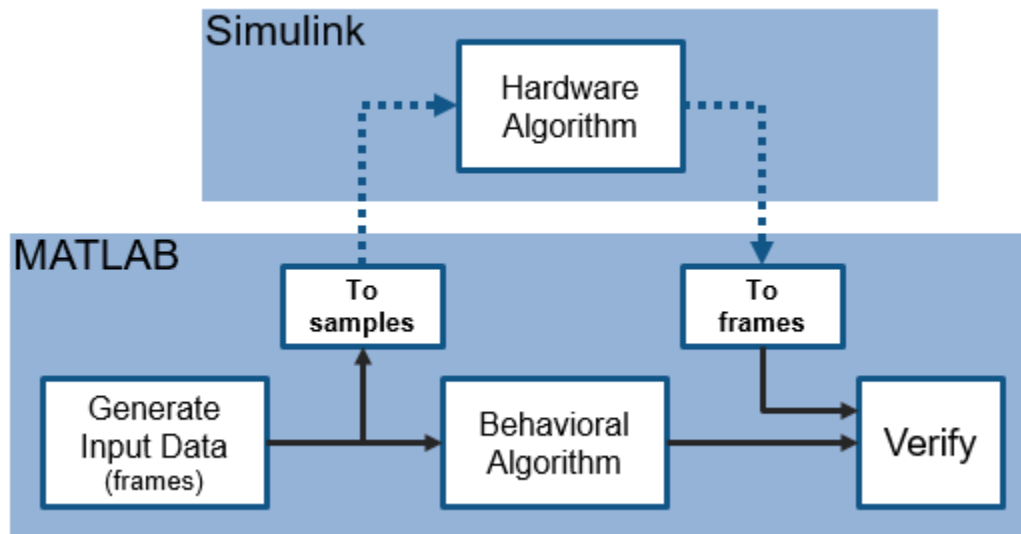
---

## Verify Turbo Decoder with Streaming Data from MATLAB

This example shows how to verify a hardware-targeted Turbo Decoder design using streaming data from MATLAB®.

To run this example, use the `VerifyLTEHDLTurboDecoderStreamingData.m` script.

LTE Toolbox™ and 5G Toolbox™ functions model operations on framed, floating-point and integer data and provide excellent behavioral references. Hardware designs must use streaming Boolean or fixed-point data. This example converts frames to samples in MATLAB and imports the sample stream to Simulink® for hardware algorithm design. The same data is applied to both the hardware algorithm in Simulink, and the behavioral algorithm in MATLAB. The output sample stream from the Simulink simulation is exported to MATLAB and then converted back to framed data for comparison.



### Hardware Targeting in Simulink

The key features of a model for hardware targeting in Simulink® are:

- **Streaming Sample Interface:** LTE Toolbox and 5G Toolbox functions process frames while blocks in Wireless HDL Toolbox use a streaming sample interface. Serial processing is efficient for hardware designs. For further information, see “Streaming Sample Interface”. You can convert frames to samples in Simulink using the Frame To Samples block or in MATLAB using the `whd\FramesToSamples` function. In this example, we convert the frames to samples in MATLAB using the `whd\FramesToSamples` function.
- **Subsystem Targeted for HDL Code Generation:** Design a hardware-friendly sample-streaming model by selecting blocks from the “Blocks”. The part of the design targeted for HDL code generation must be in a separate subsystem.
- **Conversion of Sample-Based Output to Frames:** For verification, you can export the result of your hardware-compatible design to the MATLAB® workspace. You can then compare this result with the output of a MATLAB behavioral design. In this example, we convert the samples to frames in MATLAB using the `whd\SamplesToFrames` function.



You can use the `VerifyLTEHDLTurboDecoderStreamingData.m` MATLAB script to run the MATLAB behavioral code, set up, import data and run the Simulink™ model, export the data, and compare the behavioral and Simulink output.

The MATLAB script contains six parts:

- 1 Behavioral Simulation of Turbo Decoder**
- 2 Conversion of Input Frames to Samples**
- 3 Set Up the Simulink Model for Hardware Design**
- 4 Run Simulink Model**
- 5 Conversion of Output Samples to Frames**
- 6 Verify Output of Simulink Model**

### Behavioral Simulation of Turbo Decoder

For a behavioral simulation of the design, use the `lteTurboDecode` function from LTE Toolbox. The input to this function, **softBits**, is also the input for the HDL targeted design. The behavioral output of the `lteTurboDecode` function, **rxBits** can be used for comparison to the output of the HDL targeted design. Both **softBits** and **rxBits** are frames of floating-point data.

```
% Turbo decoding of soft bits obtained from a noisy constellation
turboFrameSize = 6144;
txBits = randi([0 1],turboFrameSize,1);
codedData = lteTurboEncode(txBits);
txSymbols = lteSymbolModulate(codedData,'QPSK');
noise = 0.5*complex(randn(size(txSymbols)),randn(size(txSymbols)));
rxSymbols = txSymbols + noise;
scatter(real(rxSymbols),imag(rxSymbols),'co'); hold on;
scatter(real(txSymbols),imag(txSymbols),'rx')
legend('Rx constellation','Tx constellation')
softBits = lteSymbolDemodulate(rxSymbols,'QPSK','Soft');
rxBits = lteTurboDecode(softBits);
```

### Conversion of Input Frames to Samples

First, convert the input frame to fixed-point.

```
inframes = fi(softBits, 1, 5, 2);
```

Next, convert the framed data to a stream of samples and control signals using the `whdlFramesToSamples` function. This function also adds invalid samples to the sample stream to mimic streaming hardware data. The output of this function is the input to the Simulink model.

In this example, the `whdlFramesToSamples` function is configured to provide the inputs to the LTE Turbo Decoder block in the Simulink model. No invalid samples are inserted between valid samples.

The LTE Turbo Decoder block takes in a frame of data, one sample at a time, runs through the specified number of iterations and can then accept another input frame. To allow the block processing time to run the 6 iterations, we include invalid samples between frames. In this example, we set the number of invalid samples between frames to 7 iterations (or 14 half-iterations, each of which corresponds to a frame of delay). To calculate the exact cycles needed to process a frame, look at the LTE Turbo Decoder.

The turbo encoder function returns the systematic bits first, followed by the first set of parity bits and finally, the second set of parity bits. The LTE Turbo Decoder however requires each set of systematic

and 2 parity bits to be sent in together. To reshape the input data to the Turbo Decoder block accordingly, we choose the option to compose the output samples from interleaved input samples.

```
inframesize = 18444; % size of softBits

% No invalid cycles between samples
idlecyclesbetweensamples = 0;

% Additional delay in frames for Turbo Decoder output
numTurboIterations = 6;
% latency of Turbo Decoder block per half-iteration
tdlatency = (ceil(turboFrameSize/32)+4)*32;
% delay in frames for Turbo Decoder output
alframedelay = (2*numTurboIterations + 2)*(ceil(tdlatency/turboFrameSize));
idlecyclesbetweenframes = (inframesize/insamplesize)*alframedelay;

% Output is composed of interleaved input samples
% input: S_1 S_2 ... S_n P1_1 P1_2 ... P1_n P2_1 P2_2 ... P2_n
% output: S_1 P1_1 P2_1 S2 P1_2 P2_2 ... Sn P1_n P2_n

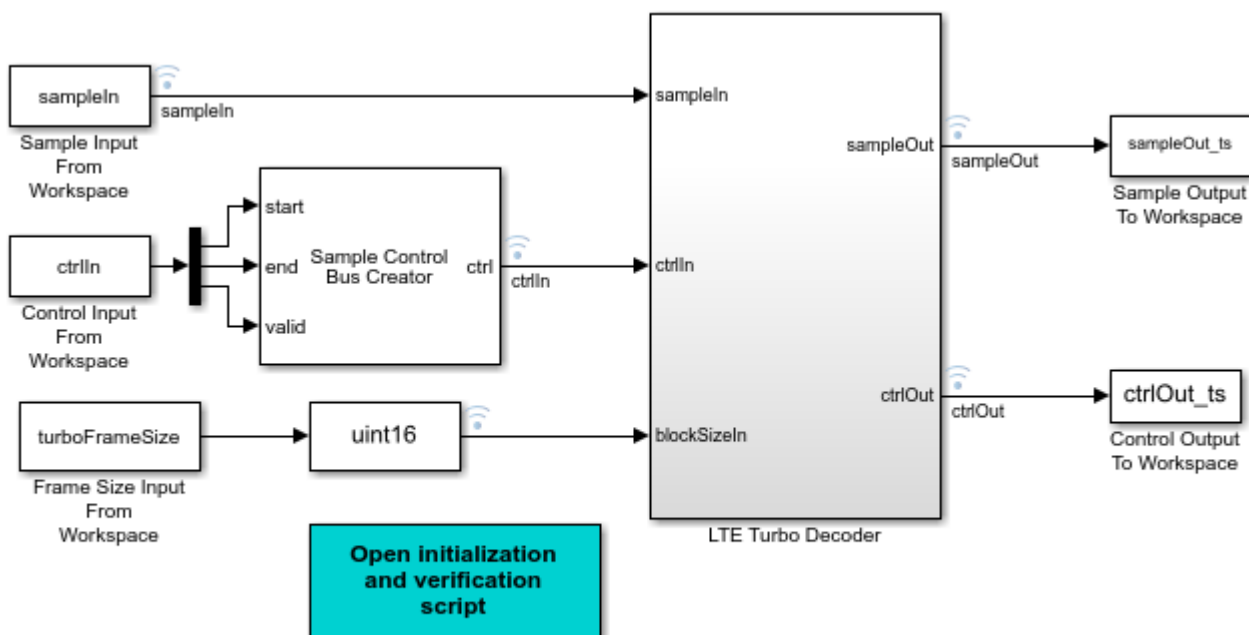
interleaveSamples = true;

[sampleIn, ctrlIn] = whdlFramesToSamples(inframes, ...
                                       idlecyclesbetweensamples, ...
                                       idlecyclesbetweenframes, ...
                                       insamplesize, ...
                                       interleaveSamples);
```

### Set Up the Simulink Model for Hardware Design

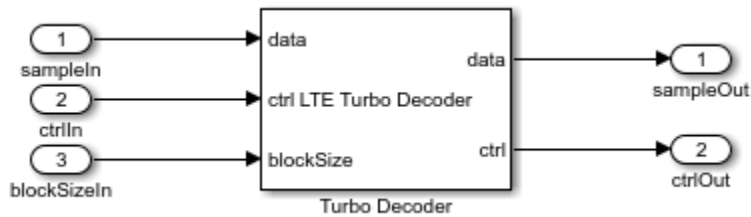
The model imports sample-based data and control and the frame size from the MATLAB workspace.

```
modelName = 'TurboDecoderStreamingDataHDLExample';
```



Copyright 2017 The MathWorks, Inc.

The **LTE Turbo Decoder** subsystem consists of the LTE Turbo Decoder block. This block is set to run 6 iterations of decoding.



The MATLAB code defines the settings for the input size, sample time for the Simulink model, and computes the desired simulation time.

```
% Settings for Signal From Workspace block
samplesizeIn = 3; % encode rate is 1/3
```

```
sampletime = 1;
```

```
simTime = size(ctrl,1);
```

### Run Simulink Model

You can run the model by clicking the Play button or calling the `sim` command on the MATLAB command line.

```
sim(modelname);
```

### Conversion of Output Samples to Frames

Running the model results in streaming samples and control signals logged from the model in the variable `sampleOut_ts` and `ctrlOut_ts`. The sample and control data are converted to frames using the `whdlSamplesToFrames` function.

```
% Reformat the logged data to form the sample and control output
```

```
sampleOut = squeeze(sampleOut_ts.Data);
ctrlOut = [squeeze(ctrlOut_ts.start.Data) ...
           squeeze(ctrlOut_ts.end.Data) ...
           squeeze(ctrlOut_ts.valid.Data)];
```

```
% Form frames from output sample and control data
outframes = whdlSamplesToFrames(sampleOut, ctrlOut);
```

```
% Gather all the bits - expecting only one frame
rxBits_hdl = outframes{:};
```

### Verify Output of Simulink Model

Compare the output of the HDL simulation to the output of the behavioral simulation to find the number of bit mismatches between the behavioral code and hardware-targeted model.

This simulation results in no bit errors. Increasing the amount of noise added to the samples or reducing the number of iterations may result in bit errors.

```
% Check number of bit mismatches
numBitsDiff = sum(rxBits_hdl ~= rxBits);
fprintf(['\nLTE Turbo Decoder: Behavioral and ' ...
        'HDL simulation differ by %d bits\n\n'], numBitsDiff);
```

```
>> VerifyLTEHDLTurboDecoderStreamingData
Maximum frame size computed to be 6144 samples.
LTE Turbo Decoder: Behavioral and HDL simulation differ by 0 bits
```

### Generate HDL Code and Verify its Behavior

Once your design is working in simulation, you can use HDL Coder™ to “Generate HDL Code” for the **LTE Turbo Decoder** subsystem. Use HDL Verifier™ to generate a “SystemVerilog DPI Test Bench” (HDL Coder) or run “FPGA-in-the-Loop”.

```
makehdl([modelName '/LTE Turbo Decoder']) % Generate HDL code
makehdltb([modelName '/LTE Turbo Decoder']) % Generate HDL Test bench
```

### See Also

#### Blocks

LTE Turbo Decoder

#### Functions

lteTurboDecode | whdlFramesToSamples | whdlSamplesToFrames

### Related Examples

- “Verify Turbo Decoder with Framed Data from MATLAB” on page 2-7

### More About

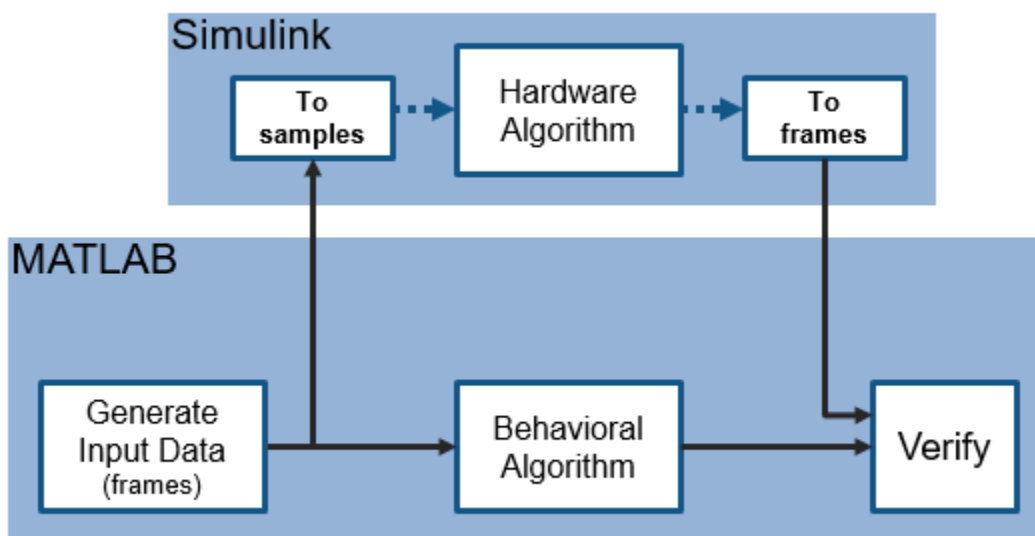
- “Turbo Encode Streaming Samples”

## Verify Turbo Decoder with Framed Data from MATLAB

This example shows how to verify a hardware-targeted LTE Turbo Decoder design using frames of data from MATLAB®.

To run this example, use the `VerifyLTEHDLTurboDecoderFramedData.m` script.

LTE Toolbox™ and 5G Toolbox™ functions model operations on framed, floating-point and integer data and provide excellent behavioral references. Hardware designs must use streaming Boolean or fixed-point data. This example imports framed data to Simulink® and then converts to a sample stream for hardware algorithm design. The same data is applied to both the hardware algorithm in Simulink, and the behavioral algorithm in MATLAB. The Simulink model converts the output sample stream to frames and exports the frames to MATLAB for comparison.



### Hardware Targeting in Simulink

The key features of a model for hardware targeting in Simulink® are:

- **Streaming Sample Interface:** LTE Toolbox and 5G Toolbox functions process frames while blocks in Wireless HDL Toolbox use a streaming sample interface. Serial processing is efficient for hardware designs. For further information, see “Streaming Sample Interface”. You can convert frames to samples in Simulink using the Frame To Samples block or in MATLAB using the `whdlFramesToSamples` function. In this example, we convert the frames to a stream of samples in Simulink using the Frame To Samples block.
- **Subsystem Targeted for HDL Code Generation:** Design a hardware-friendly sample-streaming model by selecting blocks from the “Blocks”. The part of the design targeted for HDL code generation must be in a separate subsystem.
- **Conversion of Sample-based Output To Frames:** For verification, you can export the result of your hardware-compatible design to the MATLAB® workspace. You can then compare this result with the output of a MATLAB behavioral design. In this example, we convert the samples to frames in Simulink using the Samples To Frame block.

You can use the `VerifyLTEHDLTurboDecoderFramedData.m` MATLAB script to run the MATLAB behavioral code, set up, import data and run the Simulink™ model, export the data, and compare the behavioral and Simulink output.

The MATLAB script contains four parts:

- 1 Behavioral Simulation of Turbo Decoder
- 2 Set Up the Simulink Model for Hardware Design
- 3 Run Simulink Model
- 4 Verify Output of Simulink Model

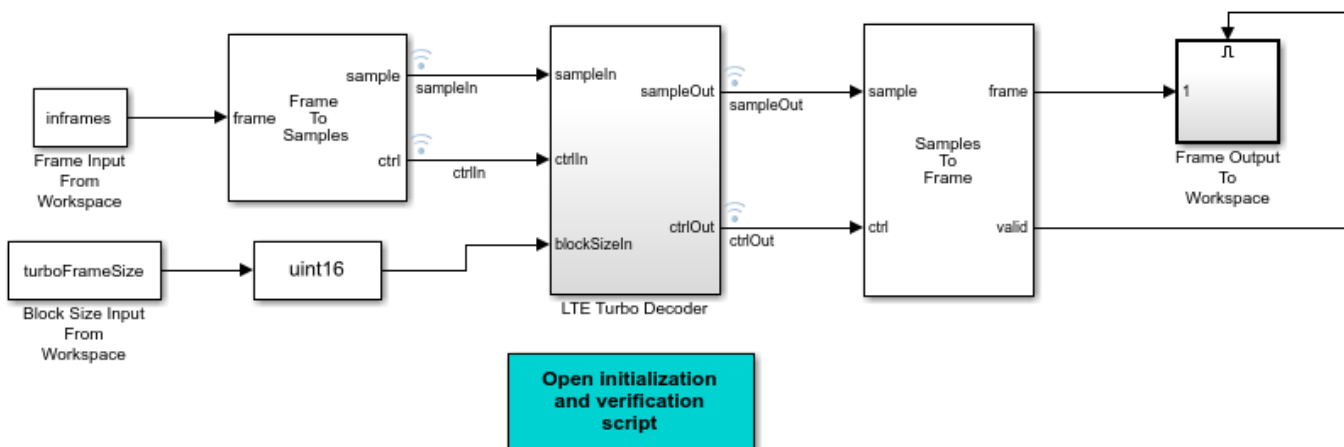
### Behavioral Simulation of Turbo Decoder

For a behavioral simulation of the design, use the `lteTurboDecode` function from LTE Toolbox. This code generates input data, **softBits** that we can use as input for the HDL targeted design. The behavioral output of the `lteTurboDecode` function, **rxBits** can be used for comparison to the output of the HDL targeted design. Both **softBits** and **rxBits** are frames of floating-point data.

```
% Turbo decoding of soft bits obtained from a noisy constellation
turboFrameSize = 6144;
txBits = randi([0 1],turboFrameSize,1);
codedData = lteTurboEncode(txBits);
txSymbols = lteSymbolModulate(codedData,'QPSK');
noise = 0.5*complex(randn(size(txSymbols)),randn(size(txSymbols)));
rxSymbols = txSymbols + noise;
scatter(real(rxSymbols),imag(rxSymbols),'co'); hold on;
scatter(real(txSymbols),imag(txSymbols),'rx')
legend('Rx constellation','Tx constellation')
softBits = lteSymbolDemodulate(rxSymbols,'QPSK','Soft');
rxBits = lteTurboDecode(softBits);
```

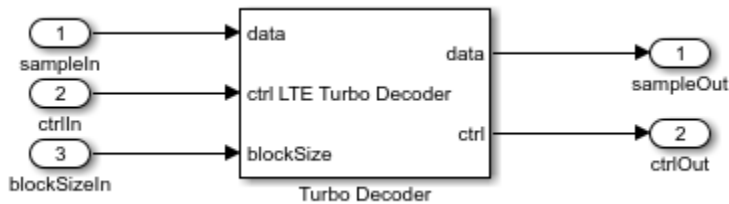
### Set Up the Simulink Model for Hardware Design

The model imports frame-based data from the MATLAB workspace. In this case, the variable *inframes* and *blockSizeIn* are the inputs to the model.



Copyright 2018 The MathWorks, Inc.

The **LTE Turbo Decoder** subsystem consists of the LTE Turbo Decoder block. This block is set to run for a frame size of 6144 systematic bits and 6 iterations of decoding.



The Simulink model imports frames of data from MATLAB and converts them into a stream of samples in the Simulink model.

The Frame To Samples block converts the framed data to a stream of samples and control signals. This block also adds invalid samples to the sample stream to mimic streaming hardware data. This block provides the input to the subsystem targeted for HDL code generation, but does not itself support HDL code generation.

In this example, the Frame To Samples block is configured to provide the input to the LTE Turbo Decoder block. No invalid samples are inserted between valid samples.

The Simulink model also imports the frame size parameter from the workspace and passes it to the `blockSize` port of the LTE Turbo Decoder block. This example uses one block size and so this port remains at a constant value specified by the `turboFrameSize` parameter.

The LTE Turbo Decoder block takes in one frame of data, runs the specified number of iterations, and can then accept another input frame. In order to allow the block processing time to run the 6 iterations, we send invalid samples between frames. In this example, we set the number of invalid samples between frames to 7 iterations (or 14 half-iterations, each of which corresponds to a frame of delay). To calculate the exact cycles needed to process a frame, look at the LTE Turbo Decoder.

The turbo encoder function sends all systematic bits out first, followed by the first set of parity bits and finally, the second set of parity bits. The LTE Turbo Decoder however requires each set of systematic and 2 parity bits to be sent in together. To reshape the input data to the LTE Turbo Decoder block accordingly, we choose the option to compose the output samples from interleaved input samples.

```
% Open the model
modelname = 'TurboDecoderFramedDataHDLExample';
open_system(modelname);

% Settings for Frame Input From Workspace block
inframesize = length(softBits);

% Setting for LTE Turbo Decoder block
numTurboIterations = 6;

% Settings for Frame To Samples block
idlecyclesbetweensamples = 0;
% approximate latency from LTE Turbo Decoder block per half-iteration
tdlatency = (ceil(turboFrameSize/32)+4)*32;
% approximate delay in frames for LTE Turbo Decoder output
algframedelay = (2*numTurboIterations + 2)*(ceil(tdlatency/turboFrameSize));
% Rate 1/3 code: Systematic + 2 Parity
```

```

insamplesize = 3;
idlecyclesbetweenframes = (inframesize/insamplesize)*alframedelay;
% Select the option to compose output from interleaved input samples
set_param([modelName '/Frame To Samples'],...
    'InterleaveSamples','on');

% Settings for Samples To Frame block
% Exact setting, includes idle cycles introduced
totalframesize = ((inframesize/insamplesize)*...
    (idlecyclesbetweensamples+1))+idlecyclesbetweenframes;
% Alternative setting, same size as LTE Turbo Decoder output frame
% totalframesize = outframesize;
outsamplesize = 1;

```

The MATLAB code also converts the input data to fixed-point for use in the hardware-targeted model, and computes the desired simulation time.

```

% Simulation time
numFrames = 1; % number of frames to run
simTime = numFrames;

% Input frame data for model
% use same data as lteTurboDecode, converted to fixed point
inframes = fi(softBits, 1, 5, 2);

```

### Run Simulink Model

You can run the model by clicking the Play button or calling the sim command on the MATLAB command line.

```
sim(modelname);
```

### Verify Output of Simulink Model

Running the model results in frames of data logged from the Frame Output To Workspace block in the variable **outframes\_logdata**. Compare the data to the output of the behavioral simulation to find the number of bit mismatches between the behavioral code and hardware-targeted model.

This simulation results in no bit errors. Increasing the amount of noise added to the samples or reducing the number of iterations may result in bit errors.

```

% Process output of HDL model and compare to behavioral simulation output
% Gather all the logged data into one array
rxBits_hdl = outframes_logdata(:);

% Check number of bit mismatches
numBitsDiff = sum(rxBits_hdl ~= rxBits);
fprintf(['\nLTE Turbo Decoder: Behavioral and ' ...
    'HDL simulation differ by %d bits\n\n'], numBitsDiff);

```

```

>> VerifyLTEHDLTurboDecoderFramedData

LTE Turbo Decoder: Behavioral and HDL simulation differ by 0 bits

```



## Generate HDL Code and Verify Its Behavior

Once your design is working in simulation, you can use HDL Coder™ to “Generate HDL Code” for the **LTE Turbo Decoder** subsystem. Use HDL Verifier™ to generate a “SystemVerilog DPI Test Bench” (HDL Coder) or run “FPGA-in-the-Loop”.

```
makehdl([modelName '/LTE Turbo Decoder']) % Generate HDL code  
makehdltb([modelName '/LTE Turbo Decoder']) % Generate HDL Test bench
```

## See Also

### Blocks

LTE Turbo Decoder | Frame To Samples | Samples To Frame

### Functions

lteTurboDecode

## Related Examples

- “Verify Turbo Decoder with Streaming Data from MATLAB” on page 2-2

## More About

- “Turbo Encode Streaming Samples”

